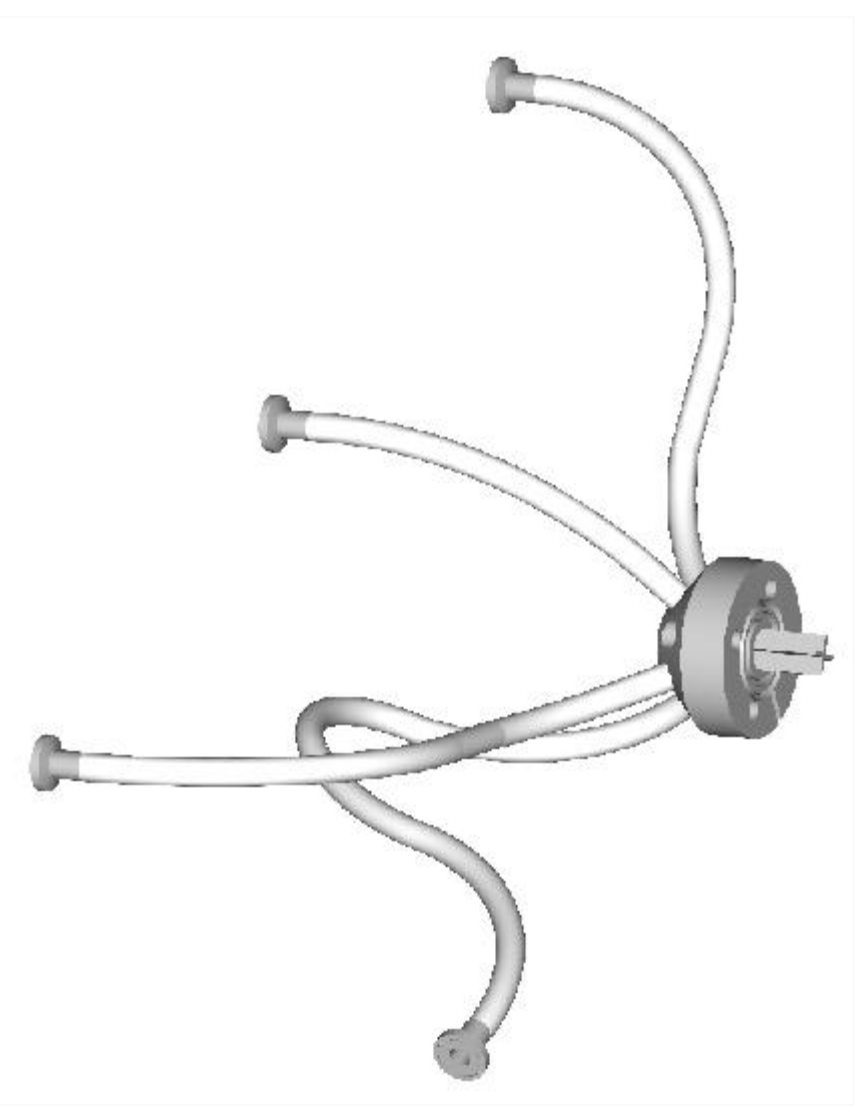
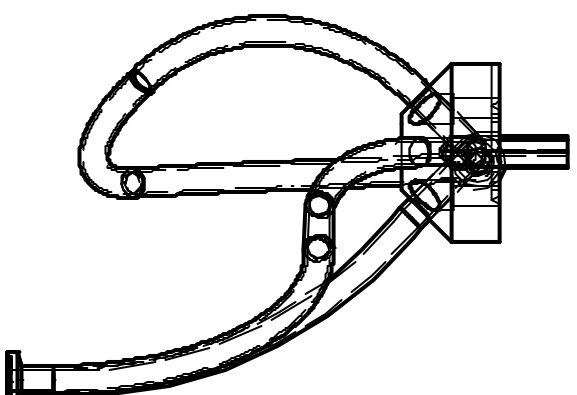
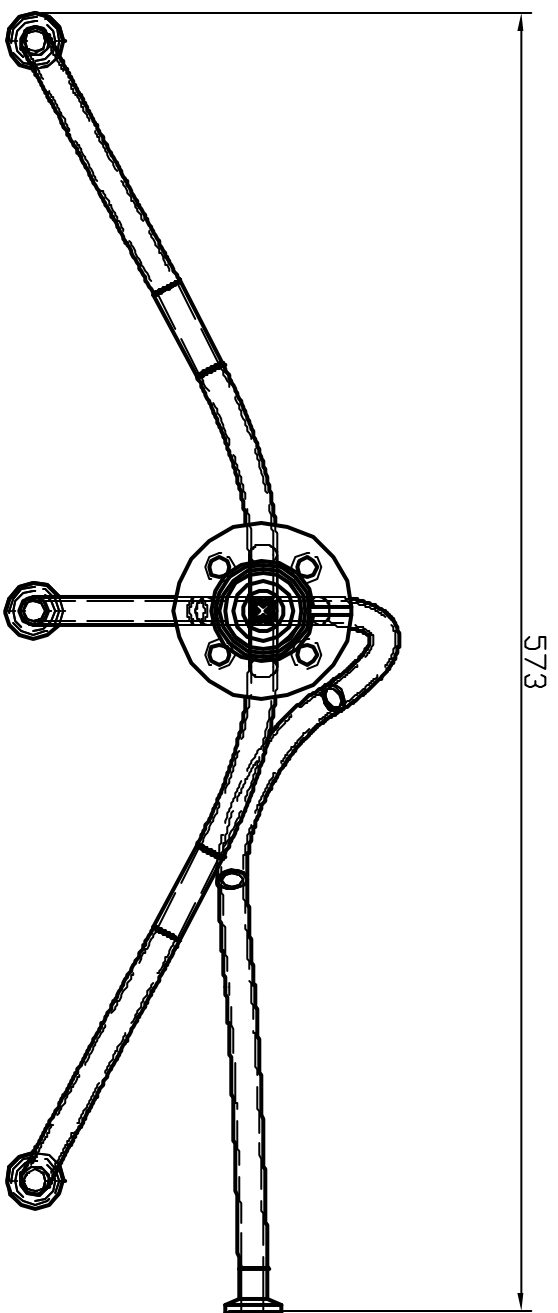
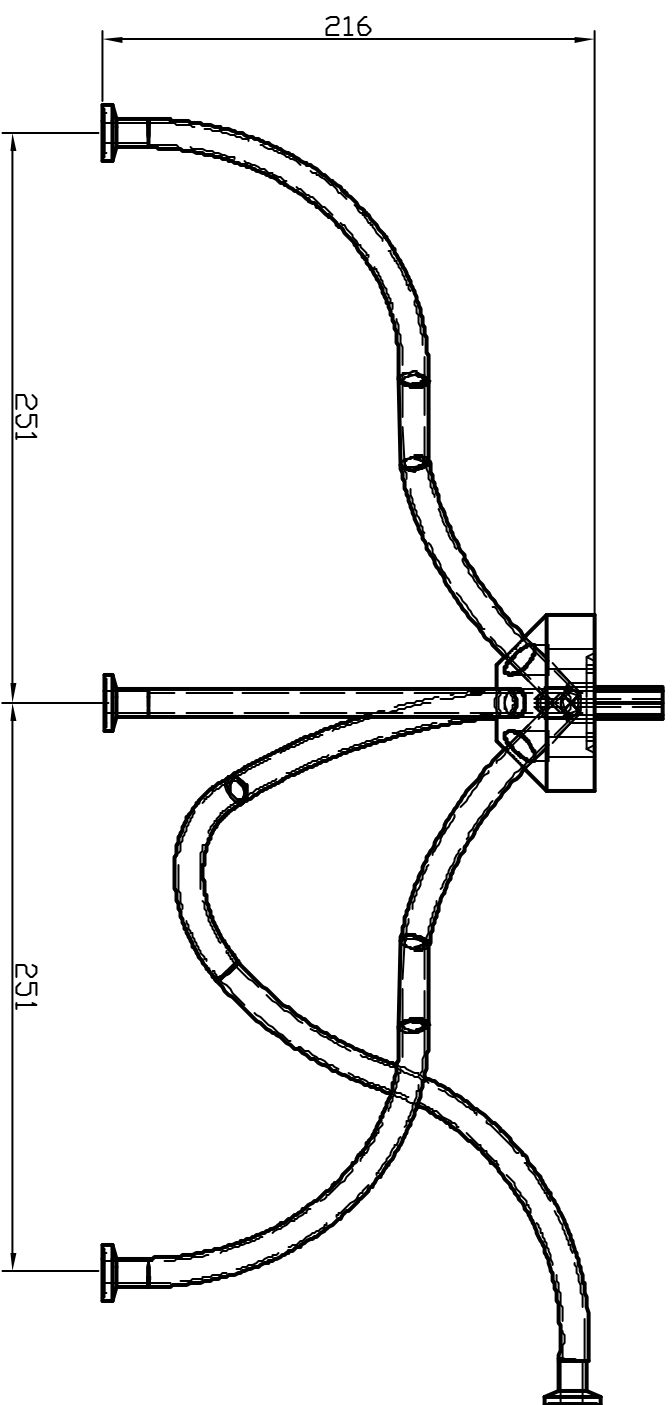



Piping base with tubes for discharge side after corrections Sept11 2006



Piping base with tubes for discharge sid

Item#	Quantity	Title/Name, designation, material, dimension etc	Article No./Reference
Designed by	Checked by	Approved by - date	Filename
Owner	Title/Name		Date
		PB-4x0_5in plain-100Ba	
Drawing number		Edition	

Rev#	Revision note	Date	Signature	Checked