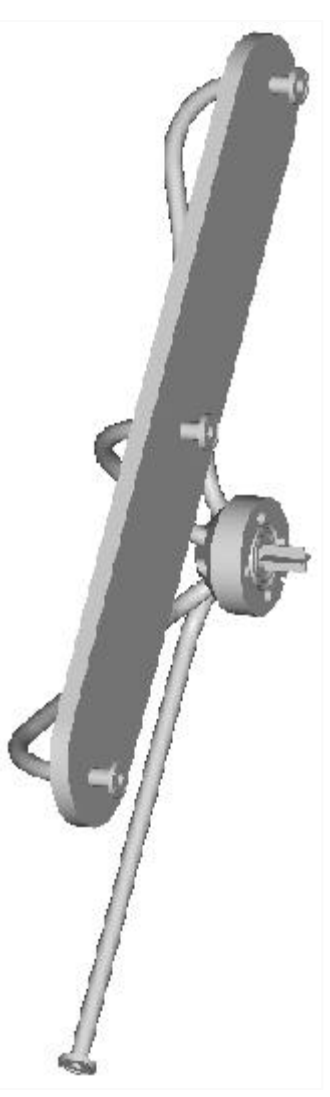
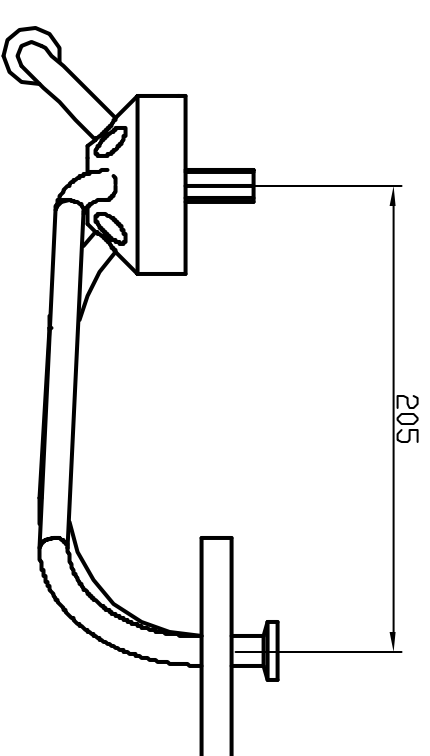
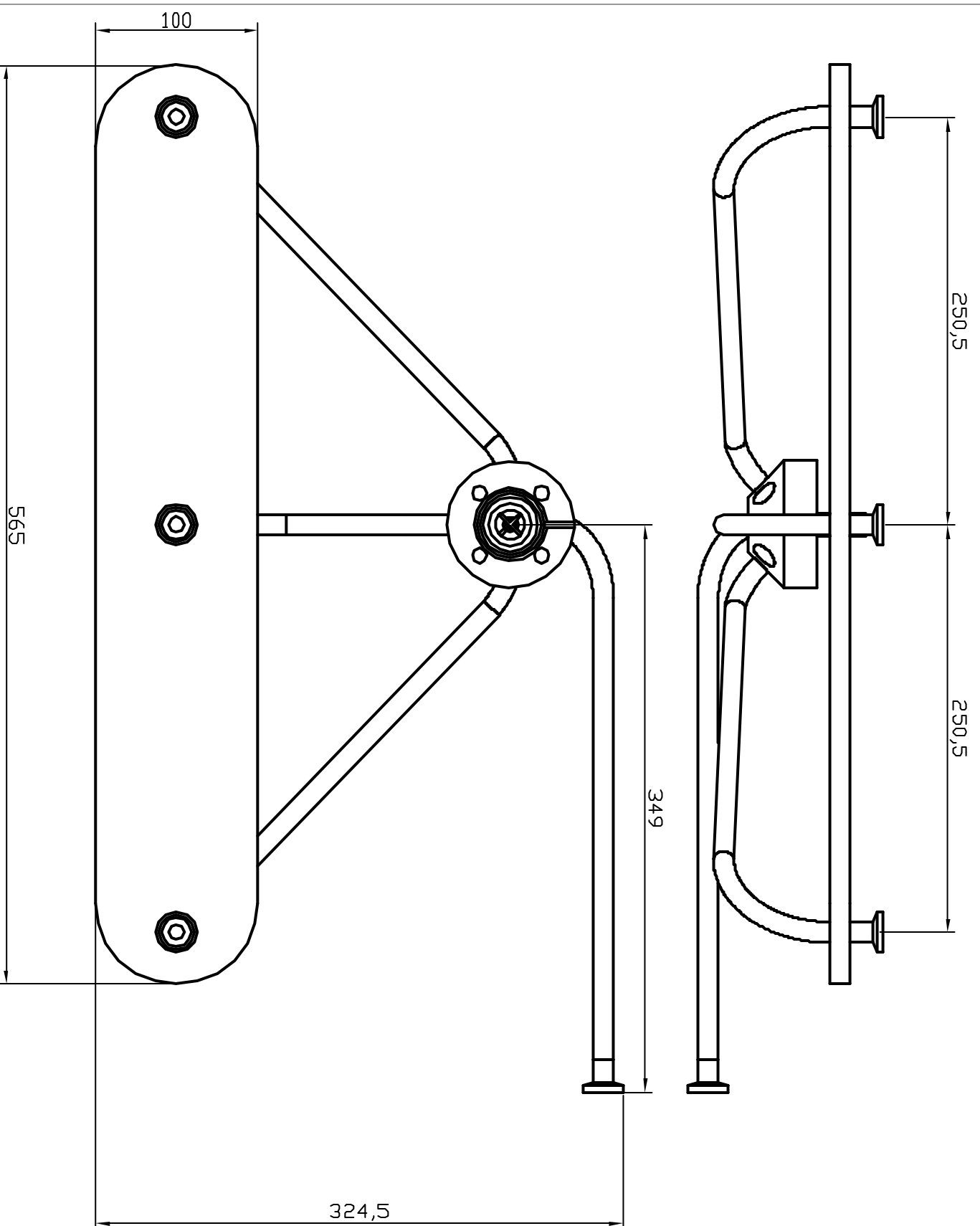


Piping base with tubes for suction side after corrections Sept08 2006



Item	Quantity	Title/Name, designation, material, dimension etc	Article No./Reference
Designed by	Checked by	Approved by - date	Filename
Owner	Title/Name		Date
			Scale
RevNo	Revision note	Date	Signature
		Checked	
Title/Name		Drawing number	Edition
PB--4x0_Sin plain-100Ba			Sheet