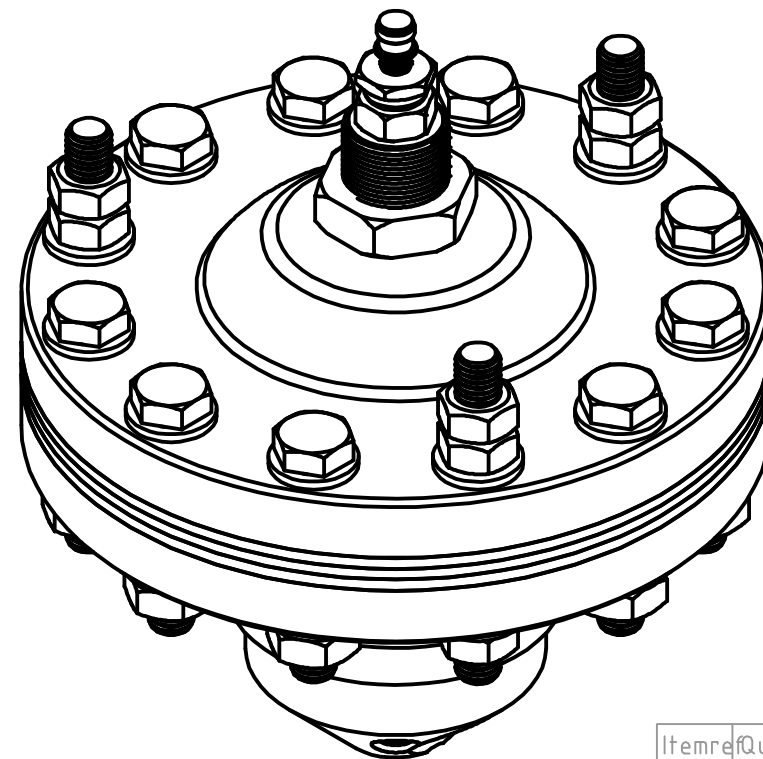
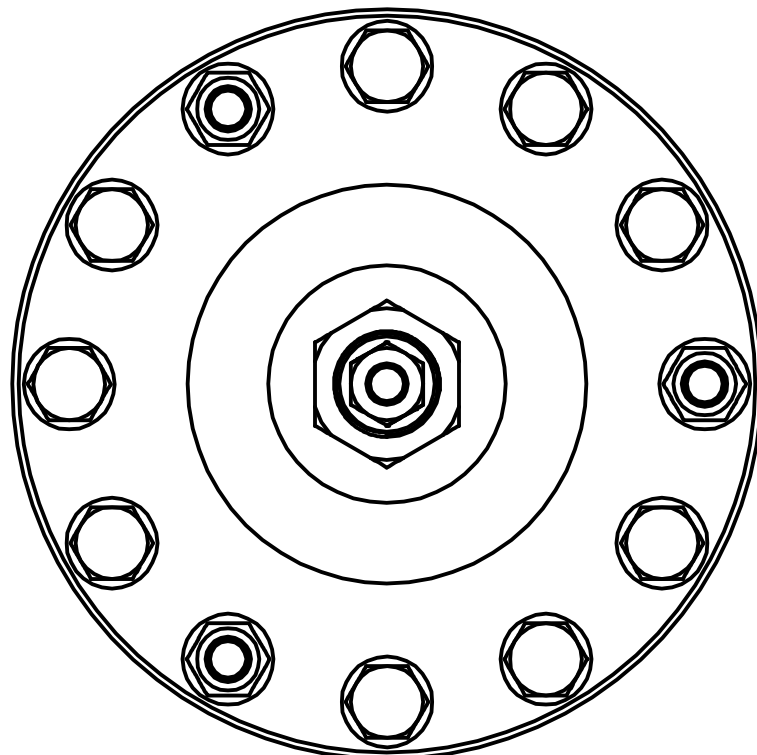
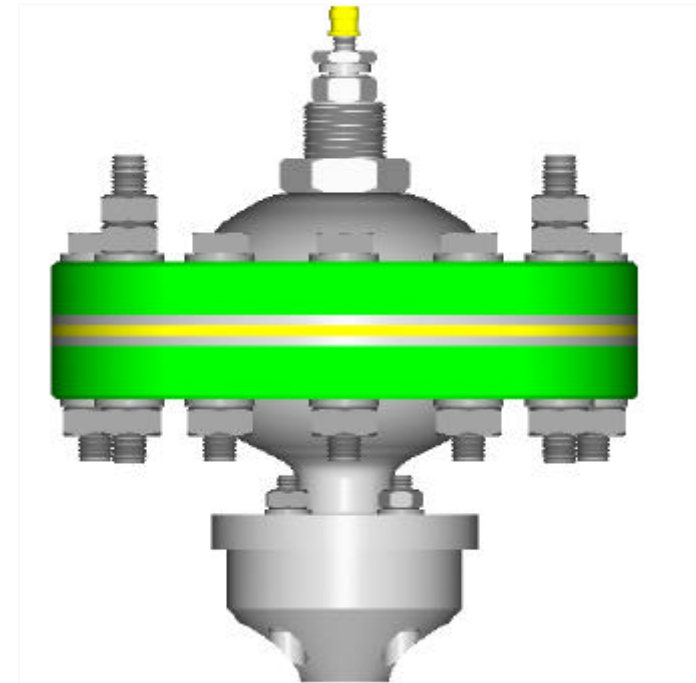


Dampener with piping base



Itemref	Quantity	Title/Name, designation, material, dimension etc			Article No./Reference	
Designed by	Checked by	Approved by - date		Filename	Date	Scale
Owner				Title/Name SoGOSS/0.5LT/DW143-MTFE/BR52/+PB1/2" x1/2"BSP/316L US029115		
PulseGuard INC. LTD.				Drawing number		Edition Sheet

RevNo	Revision note	Date	Signature	Checked
-------	---------------	------	-----------	---------