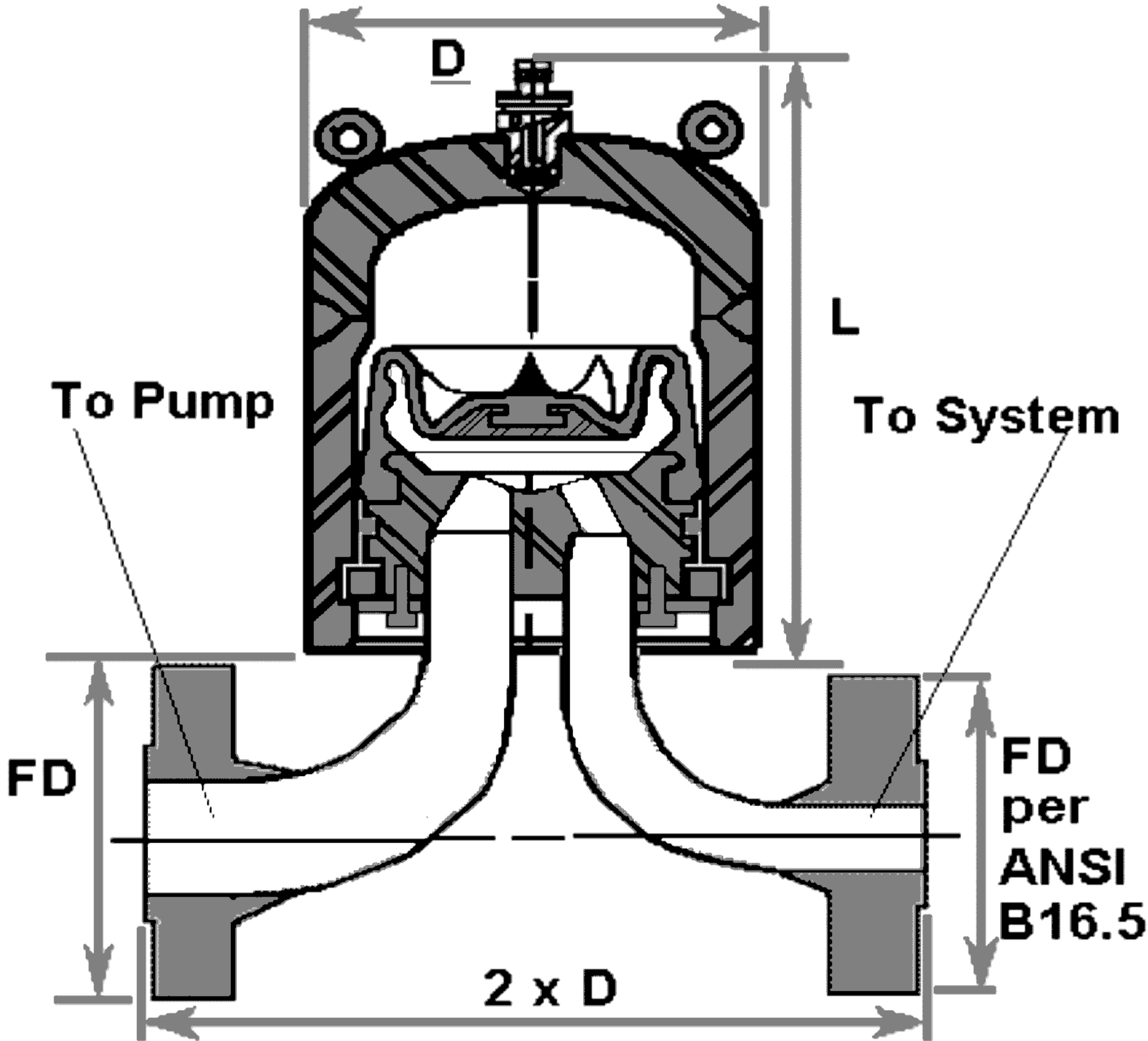


# PIPEHUGGER /TW/HP



## TYPICAL OPTIONAL CONNECTION For pumps with horizontal discharge flange.



Example - For 1,050 psi a 600# Flange would be use  
For 2" pipe, a 600# has O.D. of 6.5", therefor the overall  
height will be  $L + 6.5''$

| Item  | Part No. | Description     | Material   | I.D. # | CUSTOMER:                    |  |
|---|----------|-----------------|------------|--------|------------------------------|--|
| 1   |          | N2 Prefill      |            |        | CUSTOMER REF :               |  |
| 2   |          | Cap-Gas P/C     |            |        | QUANTITY:                    |  |
| 3   |          | Body (Shell)    |            |        | W/O No :                     |  |
| 4   |          | Snap Ring       |            |        | W: <b>100% GTAW 309ss</b>    |  |
| 5   |          | End-closure     | SA 240 316 |        | WEIGHT (EST.):               |  |
| 6   |          | Seal            |            |        | ISSUED BY:                   |  |
| 7   |          | Anti-Ext.Button | SA 240 316 |        | CHECKED BY:                  |  |
| 8   |          | Diaphragm       |            |        | ISSUE DATE: (DAY/MONTH/YEAR) |  |
| <b>PULSEGUARD INC. LTD.</b><br>In Assoc. with Liquid Dynamics<br>www.pulsation-shock.com<br>ISO 9001 VESSEL CODE # 28,289<br>BOX 506, HAMPSTEAD, N.C. 28443, USA.<br>Tel: 910-270-2737. Fax: 270-2739<br>P.O. BOX 47, STOCKPORT, UK, SK5 7BB<br>Tel: 0161-442-6222. Fax: 443-1486 |          |                 |            |        | FILE REF:                    |  |
|   |          |                 |            |        | SCALE: NTS                   | ALL DIMENSIONS ARE IN MM EXCEPT AS STATED. |
| TITLE: <b>PULSATION PREVENTOR</b>   |          |                 |            |        | SHEET: 1 OF 1                |  |
| APPLICATION: *  |          |                 |            |        | REV. 0                       |  |