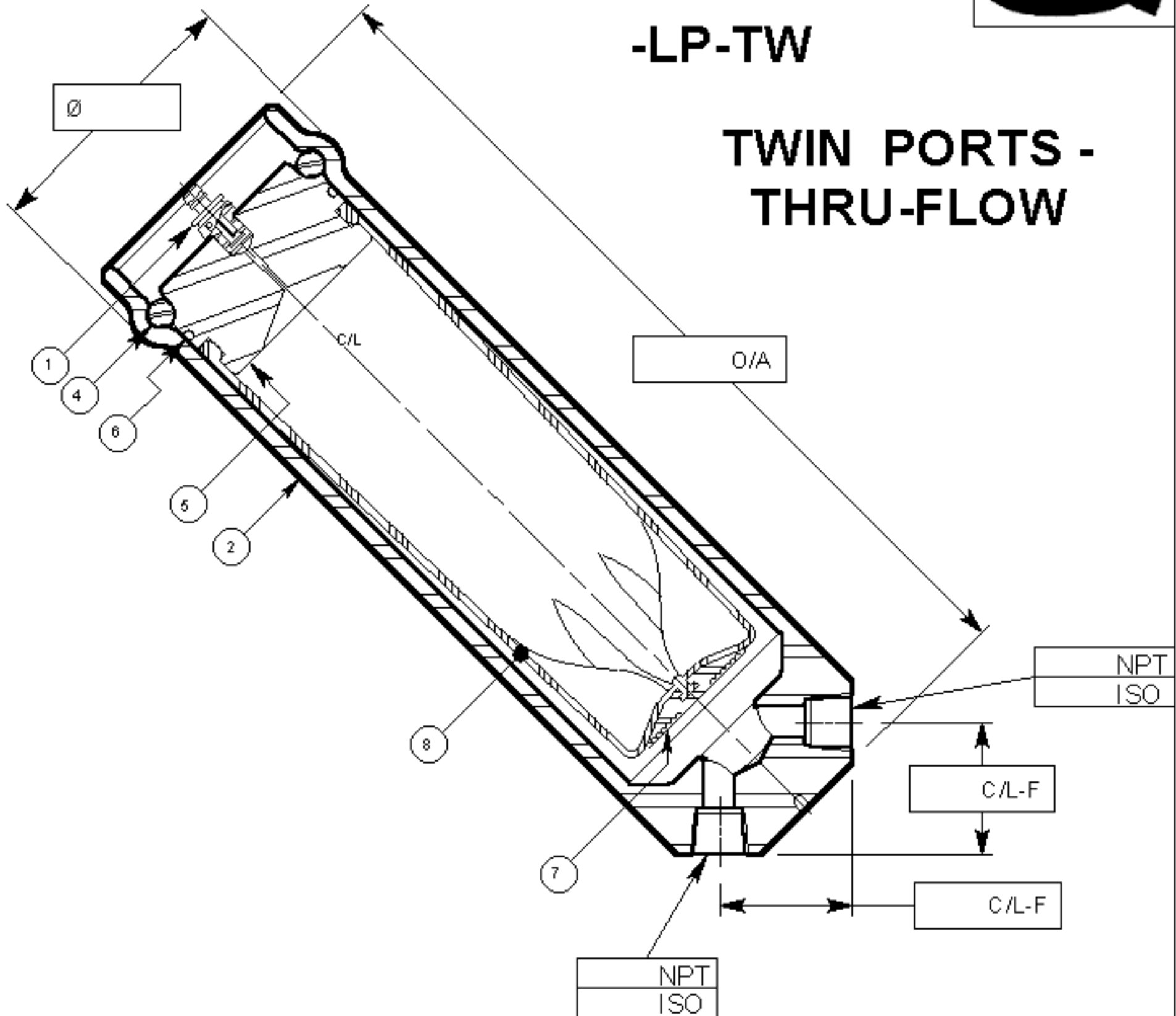


PiG-SS-LP PIPEGUARD



-LP-TW

TWIN PORTS - THRU-FLOW



Item	Part No.	Description	Material	I.D. #	CUSTOMER:
1	9019C	N ₂ Prefill			CUSTOMER REF.:
2		Body			QUANTITY:
3					W/O No.:
4		Snap Ring			WEIGHT (EST.):
5		End-closure			W:
6		Seal			ISSUED BY:
7		Anti-extrusion Plate			CHECKED BY:
8		Bladder			ISSUE DATE: (DAY/MONTH/YEAR)

PULSEGUARD INC. LTD.
INCORPORATED IN GREAT BRITAIN
www.pulsation-shock.com
 ISO 9001 VESSEL CODE # 28.289
 BOX 506, HAMPSTEAD, N.C. 28443, USA.
 Tel: 910-270-2737. Fax: 270-2730
 P.O. BOX 47, STOCKPORT, UK, SK5 7BB.
 Tel: 0161-442-6222. Fax: 443 1486

TITLE: THRU-FLOW PIPEGUARD AND ACCUMULATOR

APPLICATION:
 LOW PRESSURE STAINLESS STEEL DAMPER.
 LP SS BLADDER ACCUMULATOR.

FILE REF: STD20PIG.VLM/21-JUL-01
 SCALE: NTS ALL DIMENSIONS ARE IN MM EXCEPT AS STATED.
 VIEW NO. **PiG-LP-TW/**
 SHEET: 1 OF 1 REV. **0**