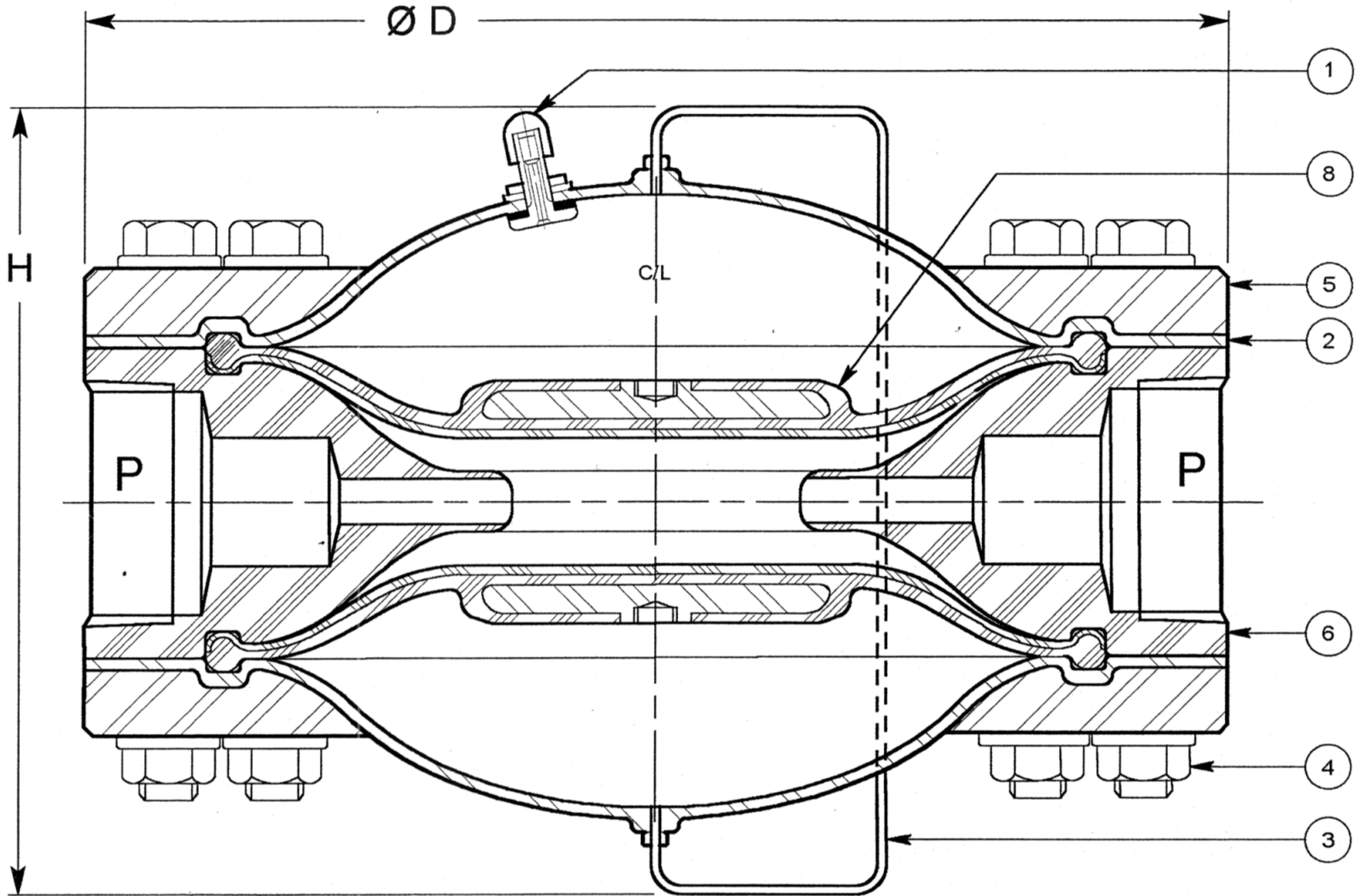


PD- "DOUBLE-ENDER"



-TW TRUE THRU-FLOW TWIN CONNECTION



Volume		Height (H)		Diameter (D)		Connection(P)	
in3	Ltrs	mm	ins	mm	ins	NPT Female	
15	0.25	165	6.5	155	6.1	1/2"	1/2"
40	0.65	205	8.0	198	7.8	3/4"	3/4"
80	1.31	260	10.3	250	9.8	1"	1"

ISO 9001
 Certified
 QSC 97028
 95-LON-AQ-458

"L.D.i"
 Liquid Dynamics
 Quality Certification.
"DESIGN & MANUFACTURE OF PRESSURE VESSELS"
 copies of certificates & plan on request

ASME "U"
 Certified
 USA Plant
 #29,289

Available Materials (Any Combination)	
Port Ring 6	D'phragm 8
PVC	Hypalon
Polyprop	E.P.D.M.
Glass fld.PTFE	Teflon
Ductile Iron	Viton

Item	Part No.	Description	Material	I.D. #
1	2581	N2 Prefill	Brass	
2		Head-Prefill	316 St'less Steel	
3		N2 Balance Tube	316 St'less Steel	
4		Bolts/Nuts/Washers		
5		Support Rings		
6		Port Ring		
7		Connections		
8		Diaphragm		

CUSTOMER: _____
 CUSTOMER REF.: _____
 QUANTITY: _____
 W/O No.: _____
 WEIGHT (EST.): _____
 W: _____
 ISSUED BY: _____
 CHECKED BY: _____
 ISSUE DATE: _____ (DAY/MONTH/YEAR)

ISO 9001 **PULSEGUARD Inc.** ASME "U" CODE
 1-888-DAMPERS 326 7337 BOX 506, HAMPSTEAD, N.C. 28443, USA. Tel: 910-270-2737. Fax: 270-2739
 1-888-THRU FLO 847 8356 URL: <http://www.liquid-dynamics.com>
 0800 174088 P.O. BOX 47, STOCKPORT, UK, SK5 7BB. Tel: 0161-442-6222. Fax: 443-1486
 URL: <http://www.ldi.co.uk>

TITLE: **THRU-FLOW DOUBLE DIAPHRAGM PULSATION PREVENTOR**
 APPLICATION:
 Water Treatment
 Chemical Dosing
 Ferric Chloride smooth flow

FILE REF: STD10SOG.VLM/28-AUG-98
 SCALE: NTS ALL DIMENSIONS ARE IN MM EXCEPT AS STATED.
 VIEW NO. **PD-TW/**
 SHEET: 1 OF 1 REV. 0