



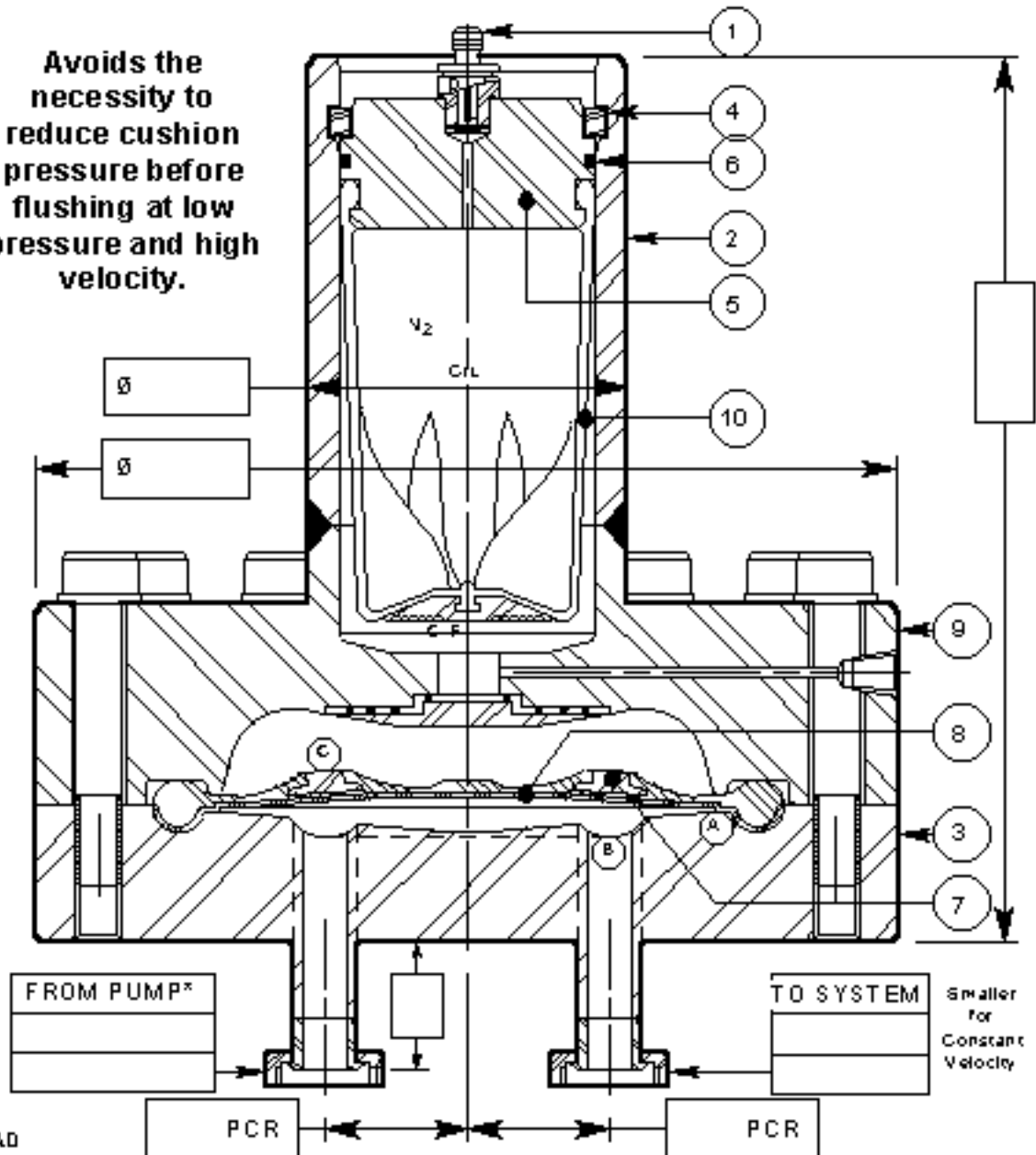
## SANITARY / C.I.P. & HPLC

**PREVENTS** Pipe System Resistance from Causing **PULSATION**

**IDEAL FOR USE IN THE FOOD, DAIRY, BREWING AND PHARMACEUTICAL INDUSTRIES.**  
 CONNECTIONS "CB" OR "TRIC LOVER" OR NATIONAL OR INTERNATIONAL DAIRY FITTINGS, IN UP TO 2" TUBING.

### TRUE THRU-FLOW: TWIN CONNECTION

Avoids the necessity to reduce cushion pressure before flushing at low pressure and high velocity.



- (A) 90° POSITIVE SHUT-OFF BETWEEN "PLASTOMER" AND LIQUID CHAMBER.
- (B) ANNULAR GALLERY ALWAYS GIVES THRU-FLOW PATH.
- (C) ENCAPSULATED ANTI-EXTRUSION STIFFENERS HERMETICALLY BONDED IN - AVOIDS CREVICES.

**L.D.I.**  
 Liquid Dynamics International.  
 Dual Certification.  
 ISO 9001 Vessel Code Certified USA Plant  
 OSC 57028 #29 289  
 15-10 VAD-468  
 \*DESIGN & MANUFACTURE OF PRESSURE VESSELS -  
 copies of certificate & plans require

\*NOTE: 1 INTAKE CONNECTION PER PUMP HEAD

Item	Part No.	Description	Material	I.D. #	CUSTOMER:
1	9019C	N2 P refill	Gr. 304 Stainless		CUSTOMER REF.:
2		Shell			QUANTITY:
3		Liquid Chamber			W/O No.:
4		Segments			WEIGHT (EST.):
5		Head-N2 P refill			W:
6		Seal			ISSUED BY:
7		Anti-E xtr. Buttons			CHECKED BY:
8		Teflon CIP Diaphragm			(DD/MONTH/YEAR)
9		Cushion Fluid Head			ISSUE DATE:
10		Bladder			FILE REF: STD00TUG.VLM104-FEB-00

**PULSEGUARD INC. LTD.**  
 10 HAZELTON RD. JIB L79 0001 G1  
 www.pulsation-shock.com  
 ISO 9001 VESSEL CODE # 28289  
 BOX 506, HAMPSTEAD, H.C. 28443, USA.  
 Tel: 916-270-2737. Fax: 270-2739  
 P.O. BOX 47, STOCKPORT, U.K., S65 7BB.  
 Tel: 0161-442-6222. Fax: 443-1436

**TITLE: THRU-FLOW TEFLON DIAPHRAGM CIP PULSATION PREVENTOR**

APPLICATION:  
 Intercept Instrument destabilising high frequency; Prevent resonance; Stop acoustic waves; Address acceleration head forms of PULSATION; all with Flush-in-Place & Constant Temperature Features and all Grades of Cleanliness..

SCALE: NTS ALL DIMENSIONS ARE IN MM EXCEPT AS STATED.  
 VIEW NO.  
 SHEET: 1 OF 1 REV. 0