

FLO

FLEXORBER



-TW TRUE THRU-FLOW - TWIN CONNECTION

TEFLON-ELASTOMER (TE)

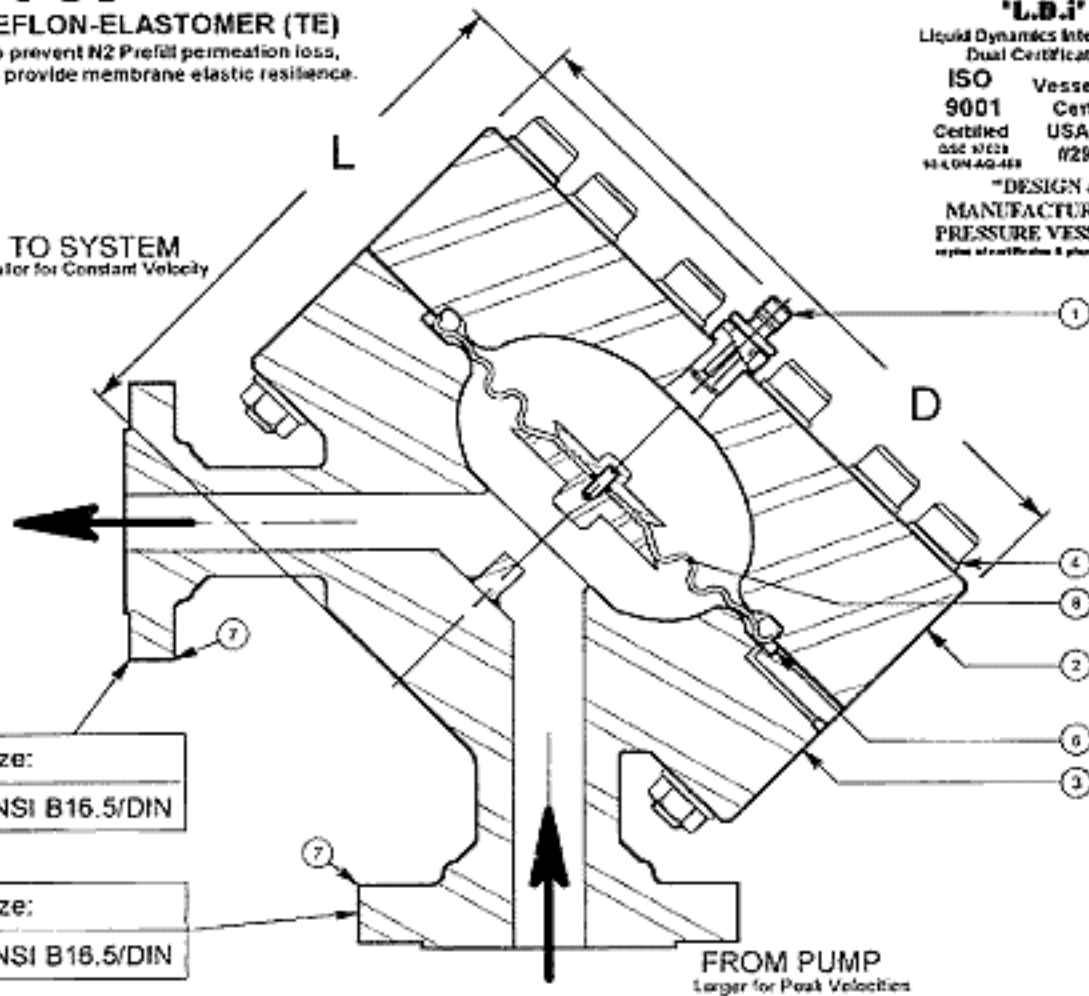
To prevent N₂ Prefill permeation loss, and provide membrane elastic resilience.

'L.D.I.'
Liquid Dynamics International.
Dual Certification.

ISO 9001 Certified
Vessel Code Certified
USA Plant
OSD 37023 #29,289
11-1,004-00-488

"DESIGN & MANUFACTURE OF PRESSURE VESSELS."
copy of certificate & plan as required

TO SYSTEM
Smaller for Constant Velocity



Size:
ANSI B16.5/DIN

Size:
ANSI B16.5/DIN

Item	Part No.	Description	Material	I.D. #
1	9019C	N ₂ Prefill		
2		Head - N ₂ P/C		
3		Liquid Chamber		
4		Skt Bolts/M'tg.Nuts		
5		Seals-Secondary Containment		
6		Anti-Extr. Button		
7		Flanges		
8		Diaphragm		

CUSTOMER:
CUSTOMER REF.:
QUANTITY:
W/O No.:
WEIGHT (EST.):
W:
ISSUED BY:
CHECKED BY:
ISSUE DATE:

PULSEGUARD INC. LTD.
In Assoc. with Liquid Dynamic
www.pulsation-shock.com
ISO 9001 VESSEL CODE # 29,289
BOX 508, HAMPSTEAD, N.C. 27443, USA
Tel: 910-270-2737 Fax: 270-2739
P.O. BOX 47, STOCKPORT, UK, SK5 7UU
Tel: 0161-440-6222 Fax: 443-1486

TITLE: THRU-FLOW (DISCHARGE) DIAPHRAGM PULSATION PREVENTOR
APPLICATION:
Intercept Instrument destabilising high frequency; Prevent resonance; Stop acoustic waves; Address acceleration head forms of PULSATION; all with Flush-in-Place & Constant Temperature Features.

FILE REF: STD19FLO.VLM/20-APR-01	
SCALE: NTS	ALL DIMENSIONS ARE IN MM EXCEPT AS STATED.
VIEW NO. FLO/	
SHEET: 1 OF 1	REV. 0